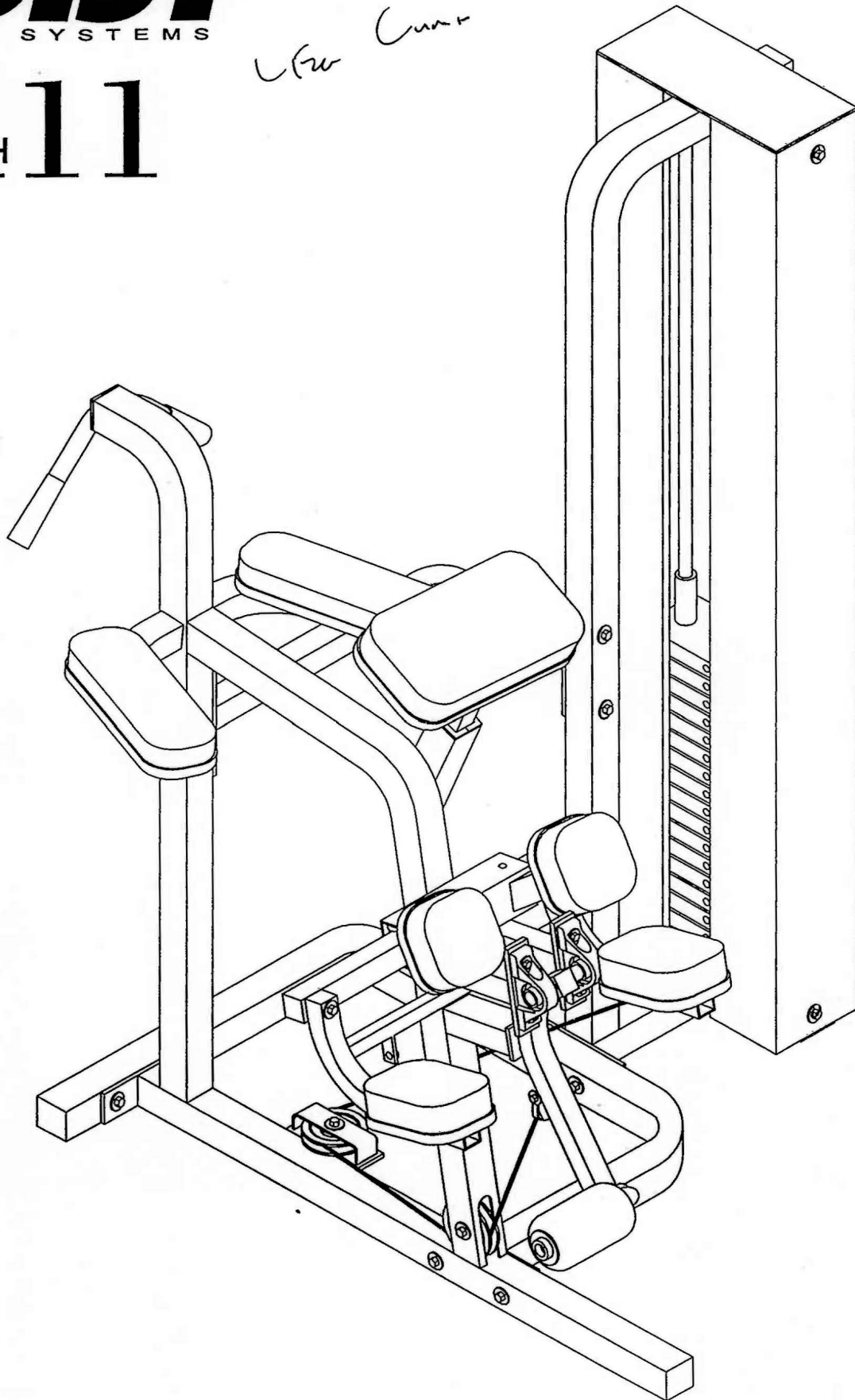


**HOIST**<sup>®</sup>  
FITNESS SYSTEMS

S411

*Use Curv*



## PARTS LIST

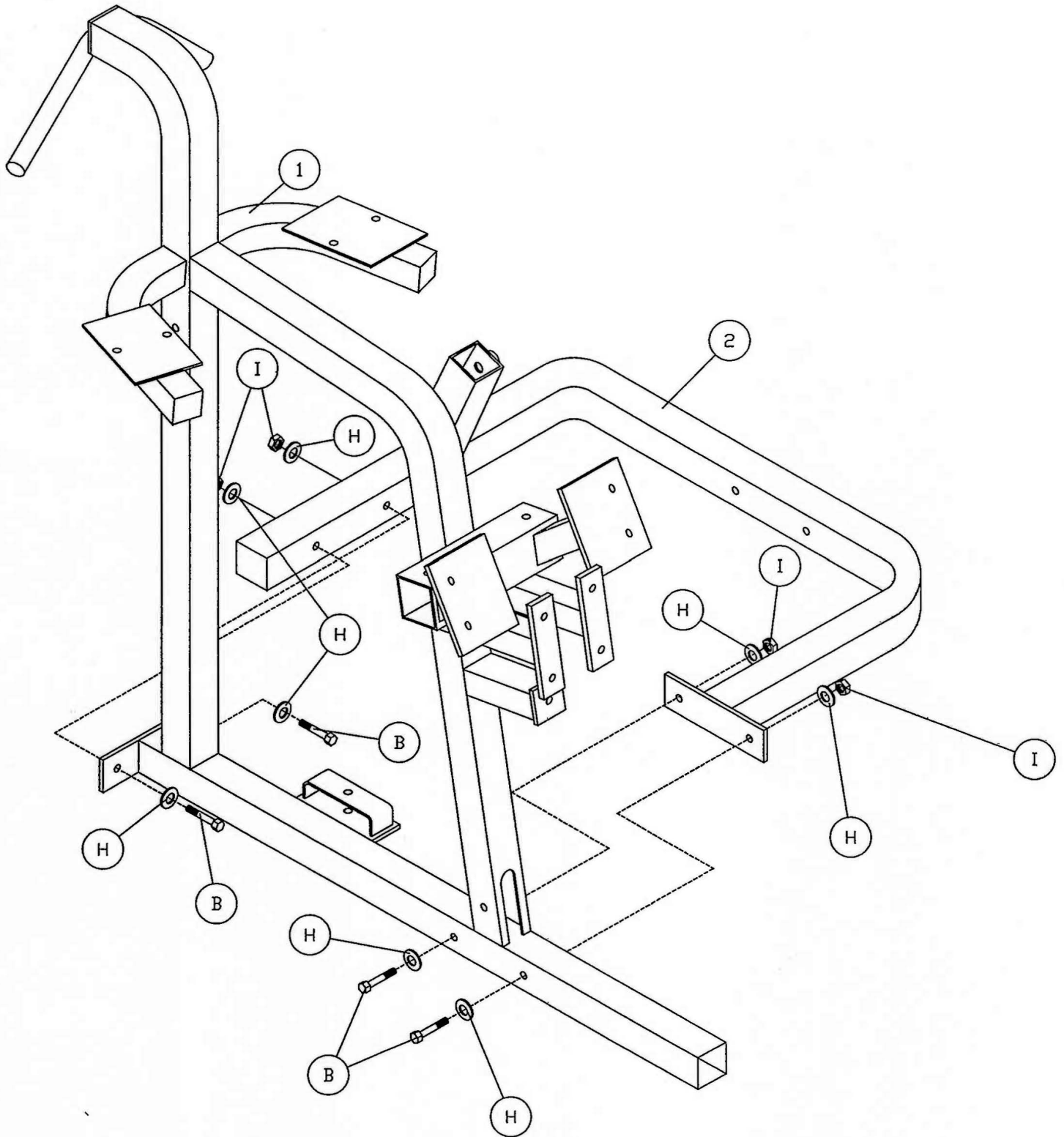
Key No.	Qty.	Part Number	Description
1	1	61-S41101	BENCH ASSEMBLY
2	1	61-S41110	BASE FRAME
3	1	61-S41109	CROSSMEMBER
4	1	61-41103	WEIGHT STACK UPRIGHT
5	2	26-STD-SU515	5" x 15" ARM PAD
6	1	26-STD-SU815A	8" x 15" AB PAD
7	1	61-S41108	AB PAD MOUNT
8	2	26-STD-PLAS112	EZ-GLIDE SEAT INSERT
9	2	26-STD-SU606	6" x 6" THIGH PADS
10	1	61-S41102	KNEE PAD ADJUSTER TUBE
11	8	26-STD-PLAS119	2" DELRIN ROD INSERTS
12	2	26-STD-SU608	6" x 8" KNEE REST PADS
13	1	61-S41104	KNEE PAD MOUNT
14	3	19-PAD-1	RUBBER BUMPER
15	2	14-BRG-RAD1PILP	PILLOW BEARINGS
16	1	61-S41107	ARM ASSEMBLY
17	2	26-STD-PLAS108	DELRIN BUSHING
18	2	SEA STORM 5710-359-30	METAL SHIM WASHER
19	1	20-SPR-10402	RETURN SPRING
20	1	61-S41111	ROLLER MOUNT
21	2	13-FLT-1	1" STOP WASHER
22	1	26-STD-SU2000	4" DIA. x 7" ROLLER PAD
23	1	61-S41105	WEIGHT STACK TOP
24	2	14-BSH-GRD-34	GUIDE ROD SNAP BUSHING
25	1	26-STD-SWTOP-1	8 1/2 LB. TOP WEIGHT PLATE W\STEM
26	2	26-STD-SG107	3/4" DIA. x 59 3/4" GUIDE ROD
27	15	26-STD-SW102	8 1/2 LB. WEIGHT PLATE
28	2	19-WSB-12	1/2" RUBBER DONUT
29	1	61-41106	WEIGHT BASE
30	2	26-STD-SSH120	59 3/4" SHEILDS
31	2	19-GRD-78514T	TAPERED GRIPS
32	1	26-STD-SM128	1/2" PULLPIN (SHORT)

**HARDWARE**

Key No.	Qty.	Part Number	Description
A	2	11-HEX-38334	3/8 x 3 3/4" HEX BOLT
B	14	11-HEX-38234	3/8 x 2 3/4 HEX BOLT
C	1	11-HEX-38212	3/8 x 2 1/2" HEX BOLT
D	1	11-HEX-382	3/8 x 2 HEX BOLT
E	2	11-HEX-38134	3/8 x 1 3/4 HEX BOLT
F	5	11-HEX-38112	3/8 x 1 1/2 HEX BOLT
G	4	11-HEX-381	3/8 x 1 HEX BOLT
H	52	13-FLT-38	3/8" USS FLAT WASHER
I	23	12-LOK-38	3/8" CENTER LOCK HEX NUT
J	4	11-HEX-5162	5/16 x 2 HEX BOLT
K	10	11-HEX-516114	5/16 x 1 1/4 HEX BOLT
L	14	13-FLT-516	5/16 USS FLAT WASHER
M	1	14-SSC-1	SHAFT COLLAR
N	1	18-PUL-312	3 1/2" PULLEY
O	4	18-PUL-412	4 1/2" PULLEY
P	1	30-RPN-382S	3/8" X 2" ROLLPIN

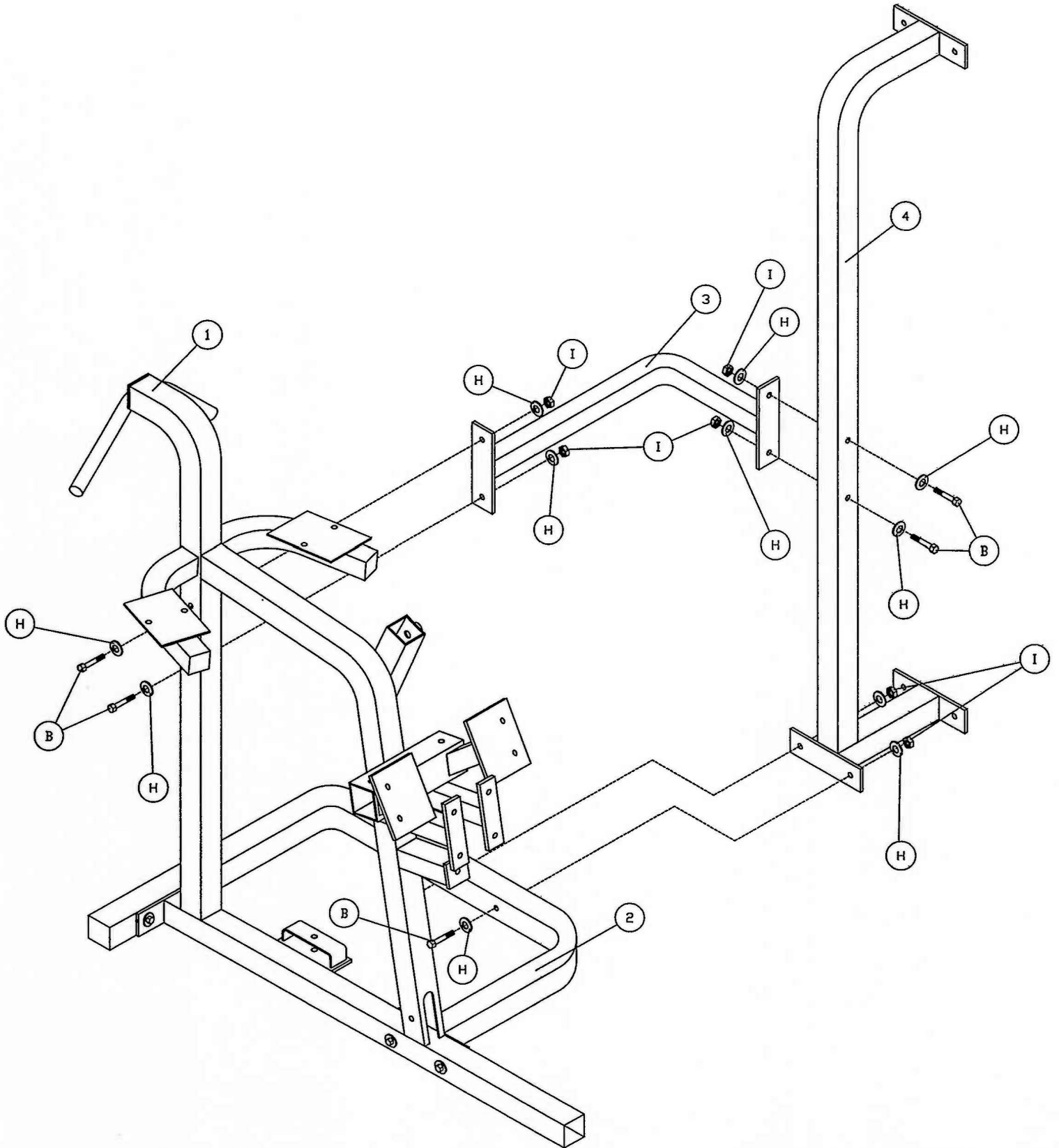
# S411

## LEG CURL



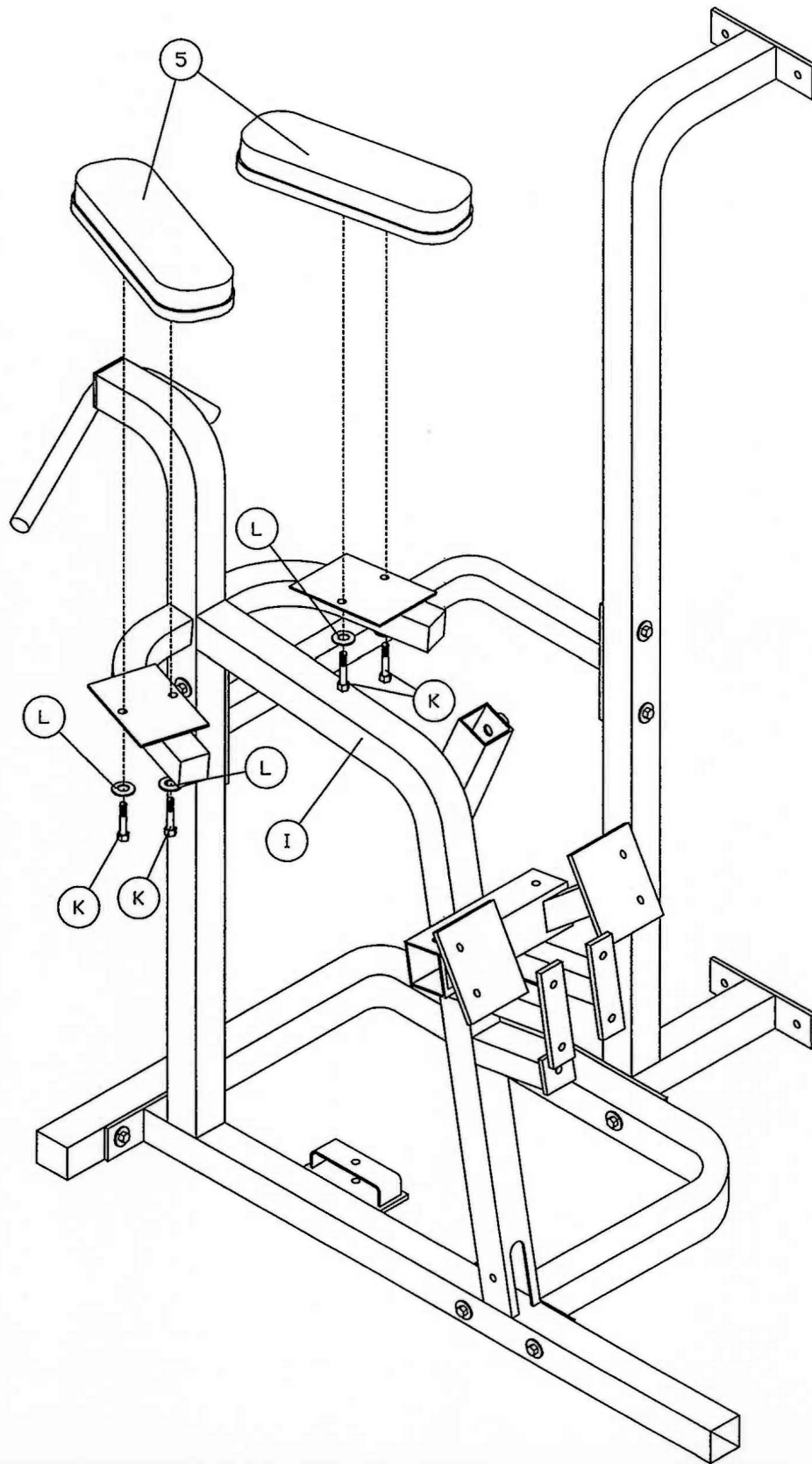
# S411

## LEG CURL



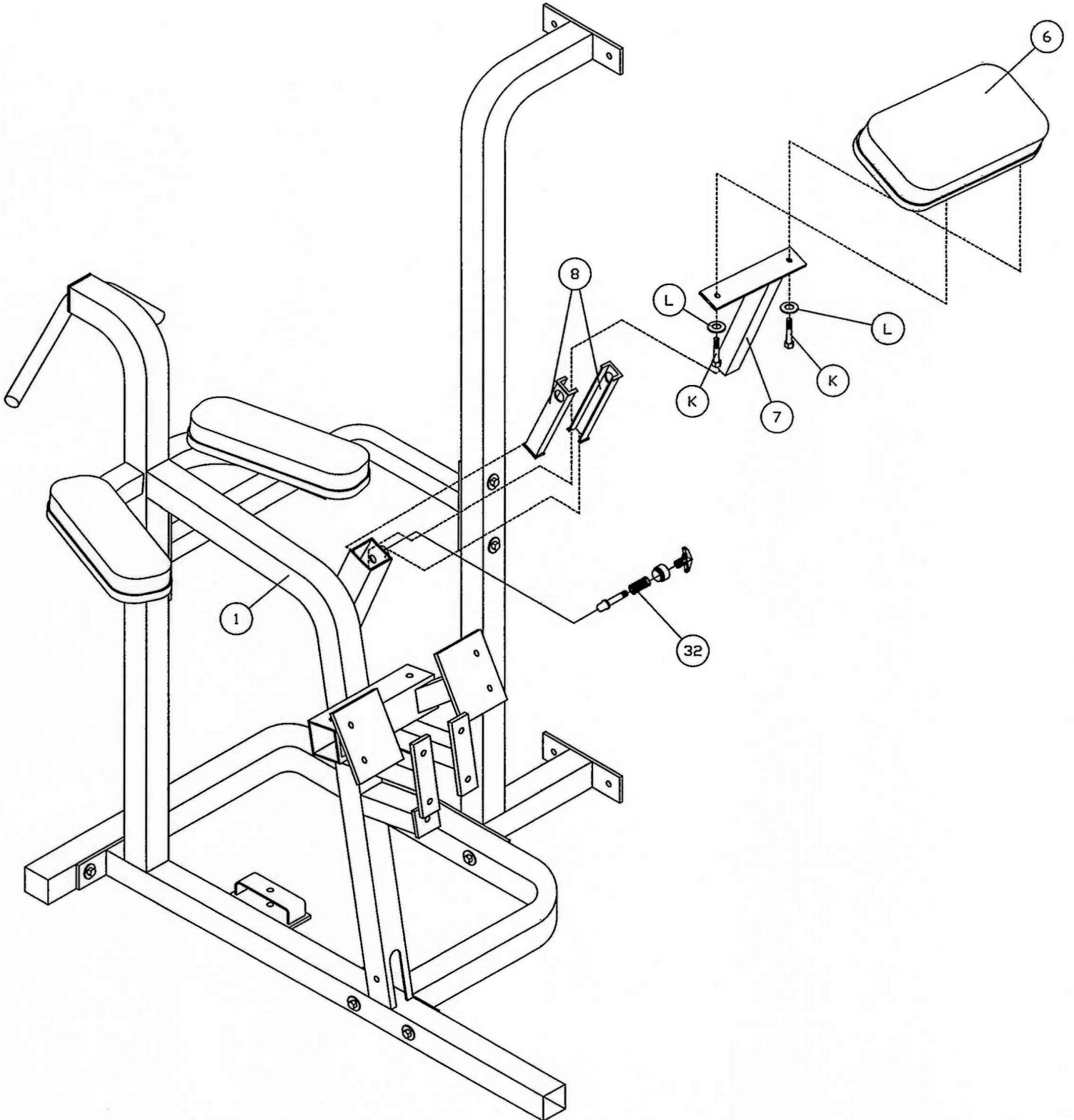
# S411

## LEG CURL



# S411

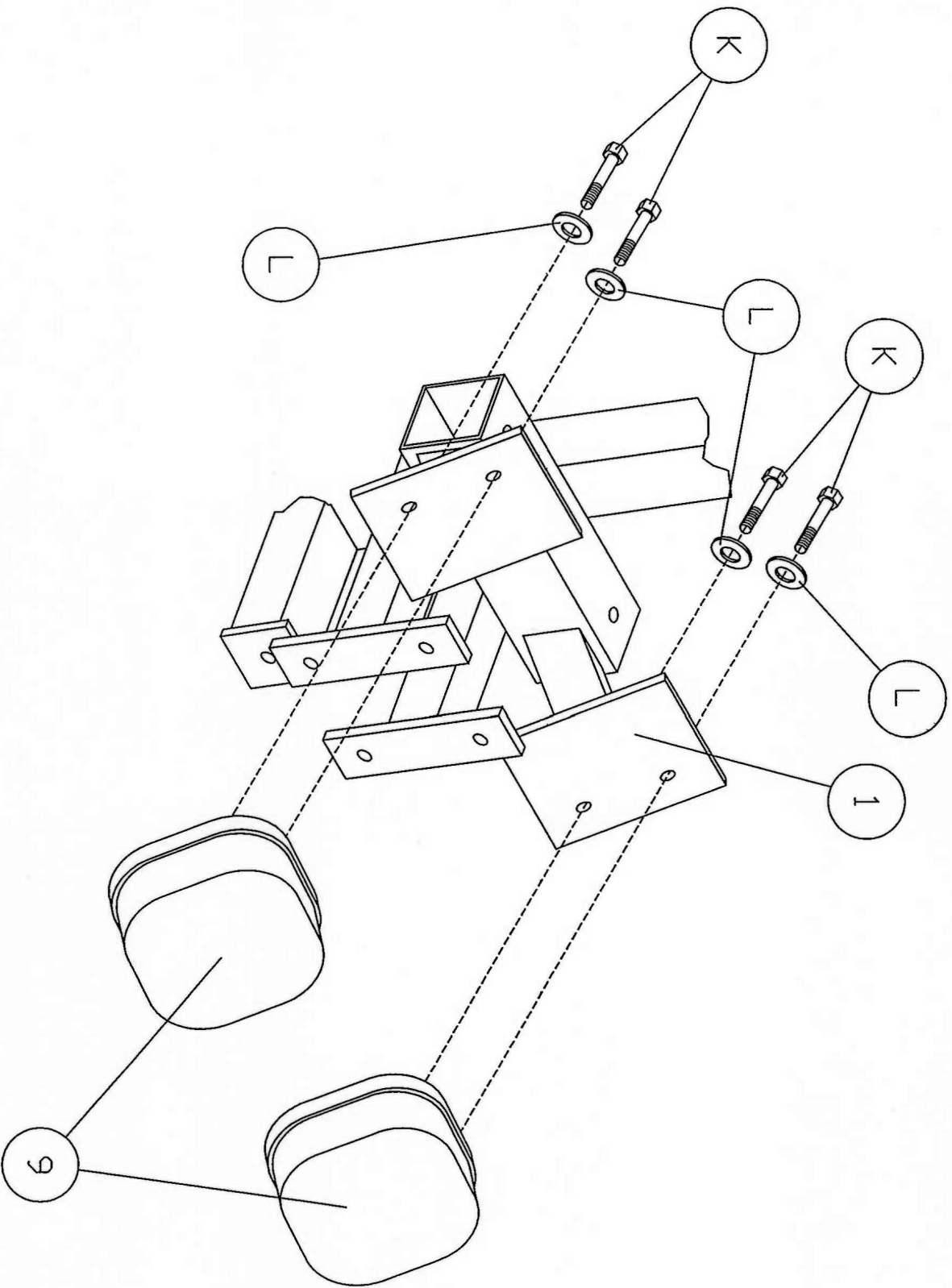
## LEG CURL





# S411

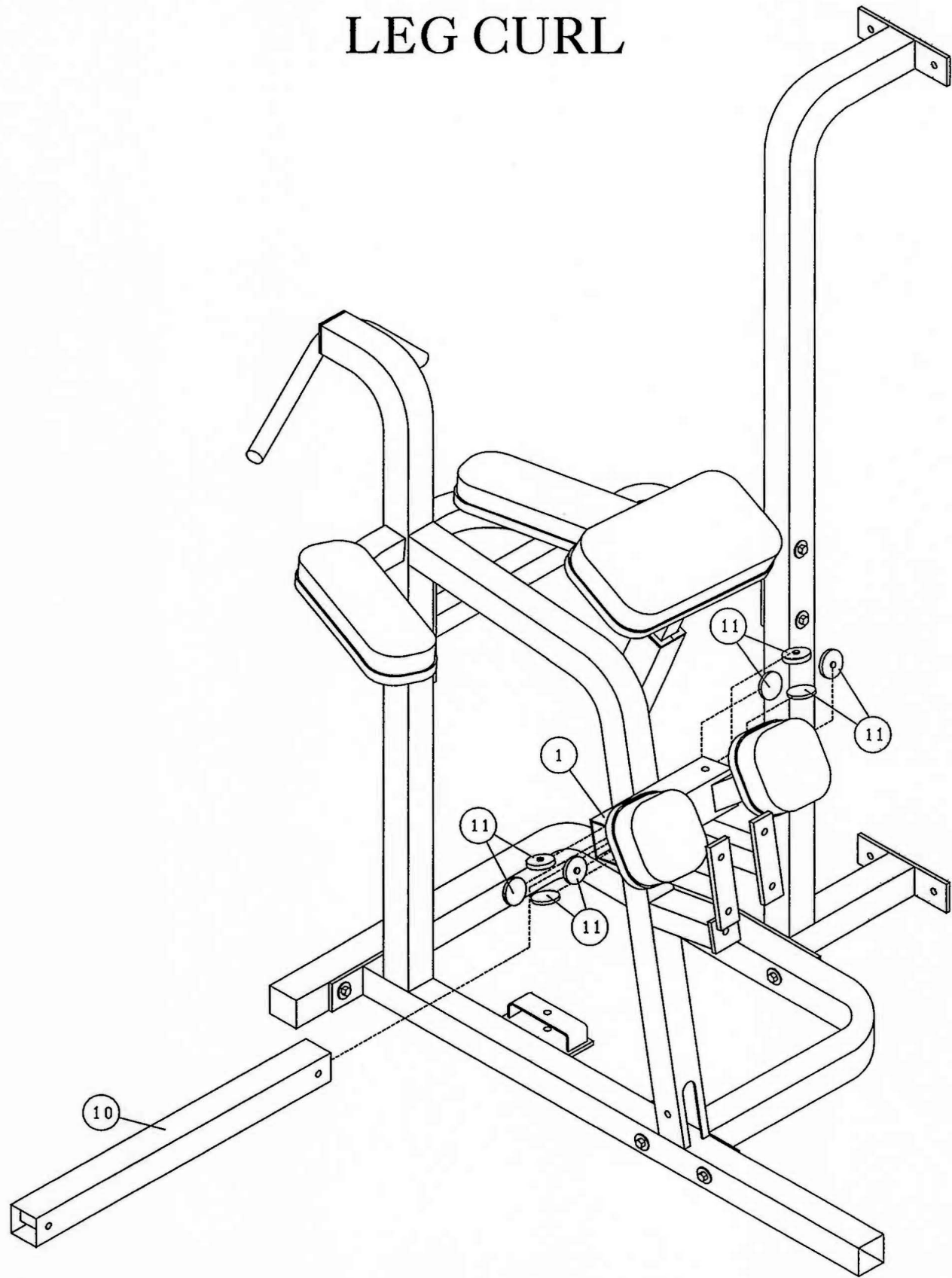
LEG CURL





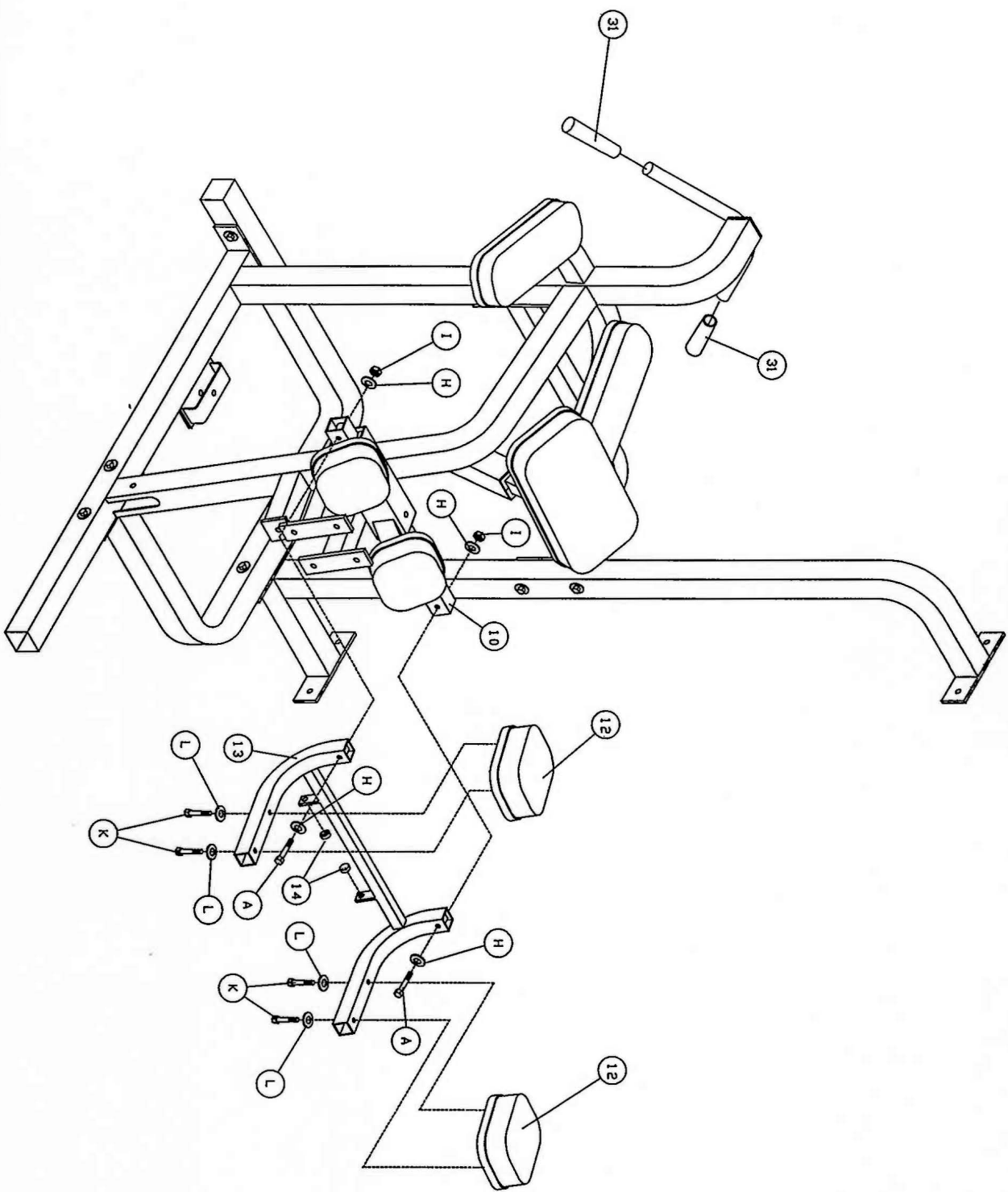
# S411

## LEG CURL



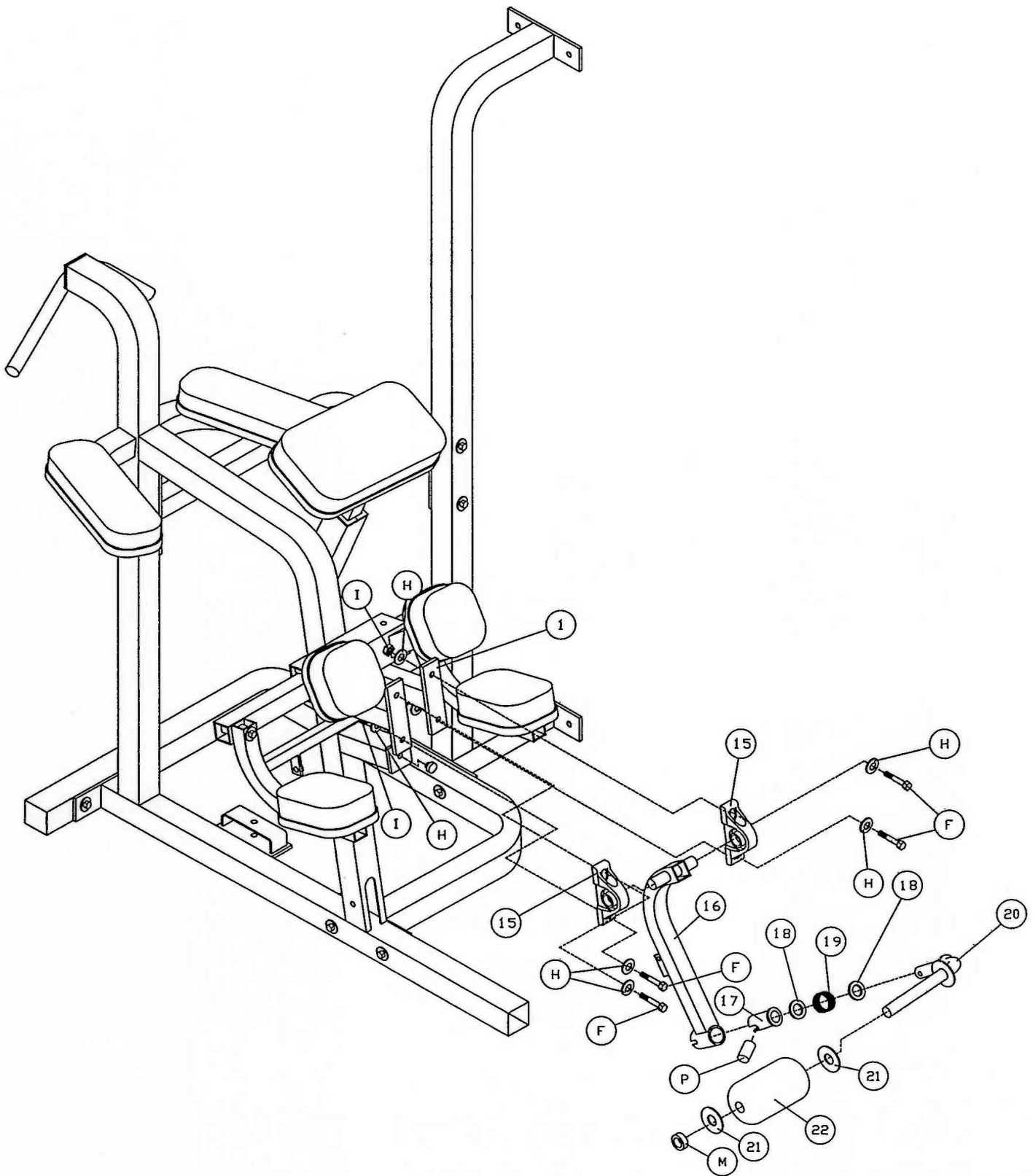
# S411

## LEG CURL



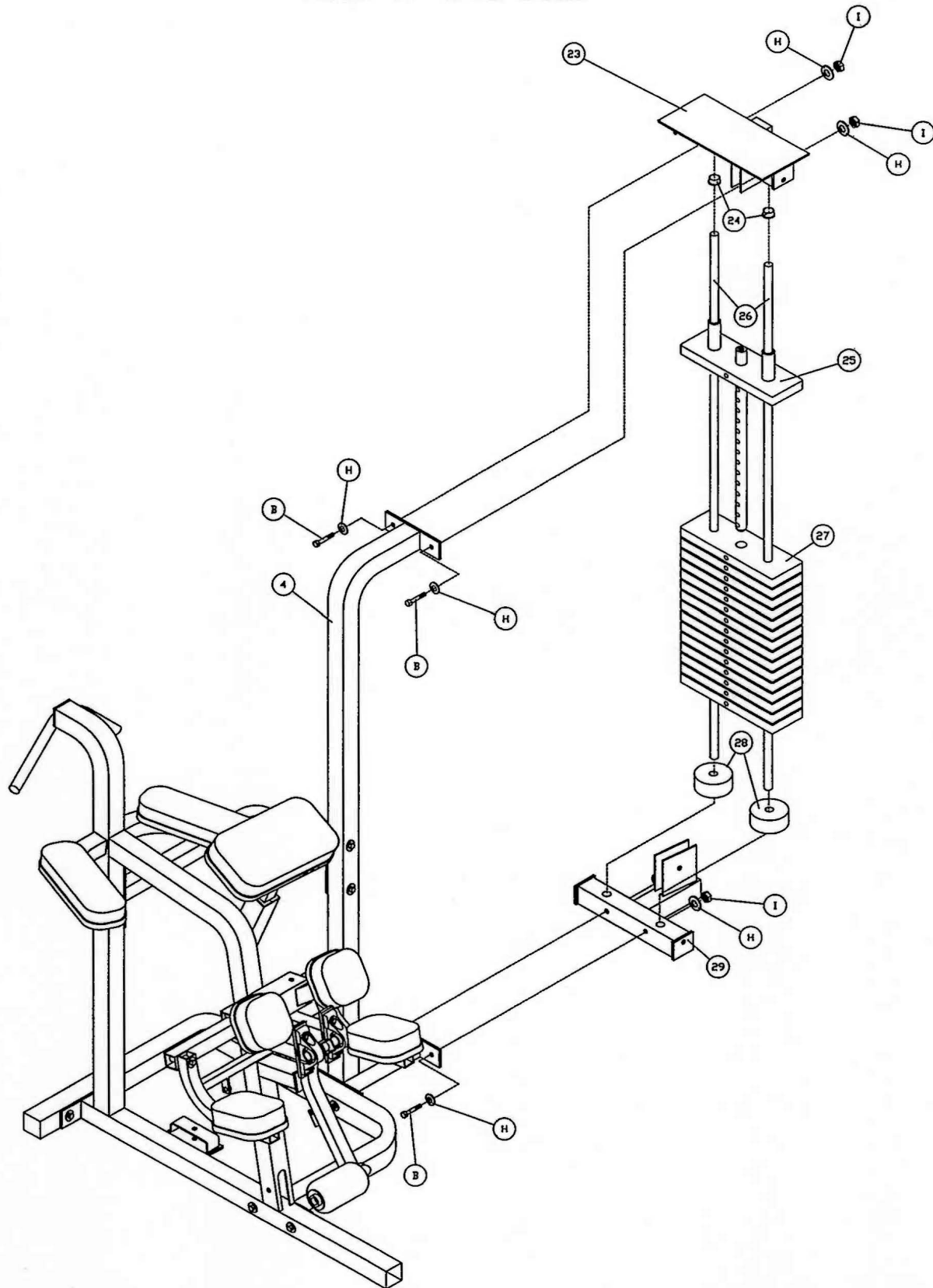
# S411

## LEG CURL



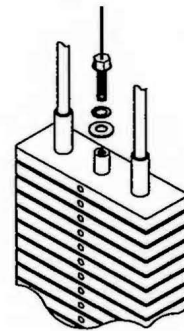
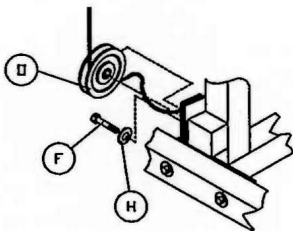
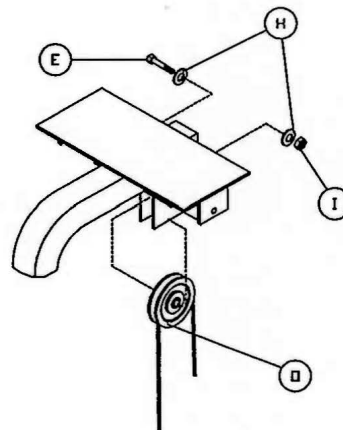
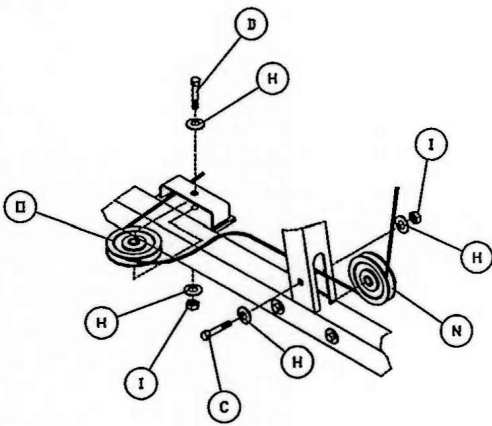
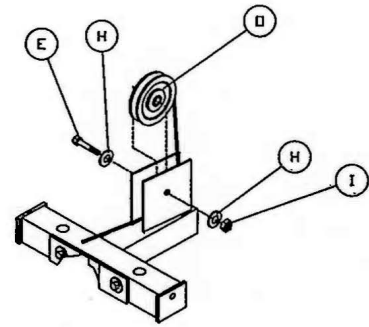
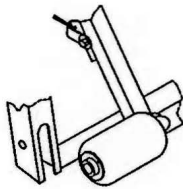
# S411

## LEG CURL



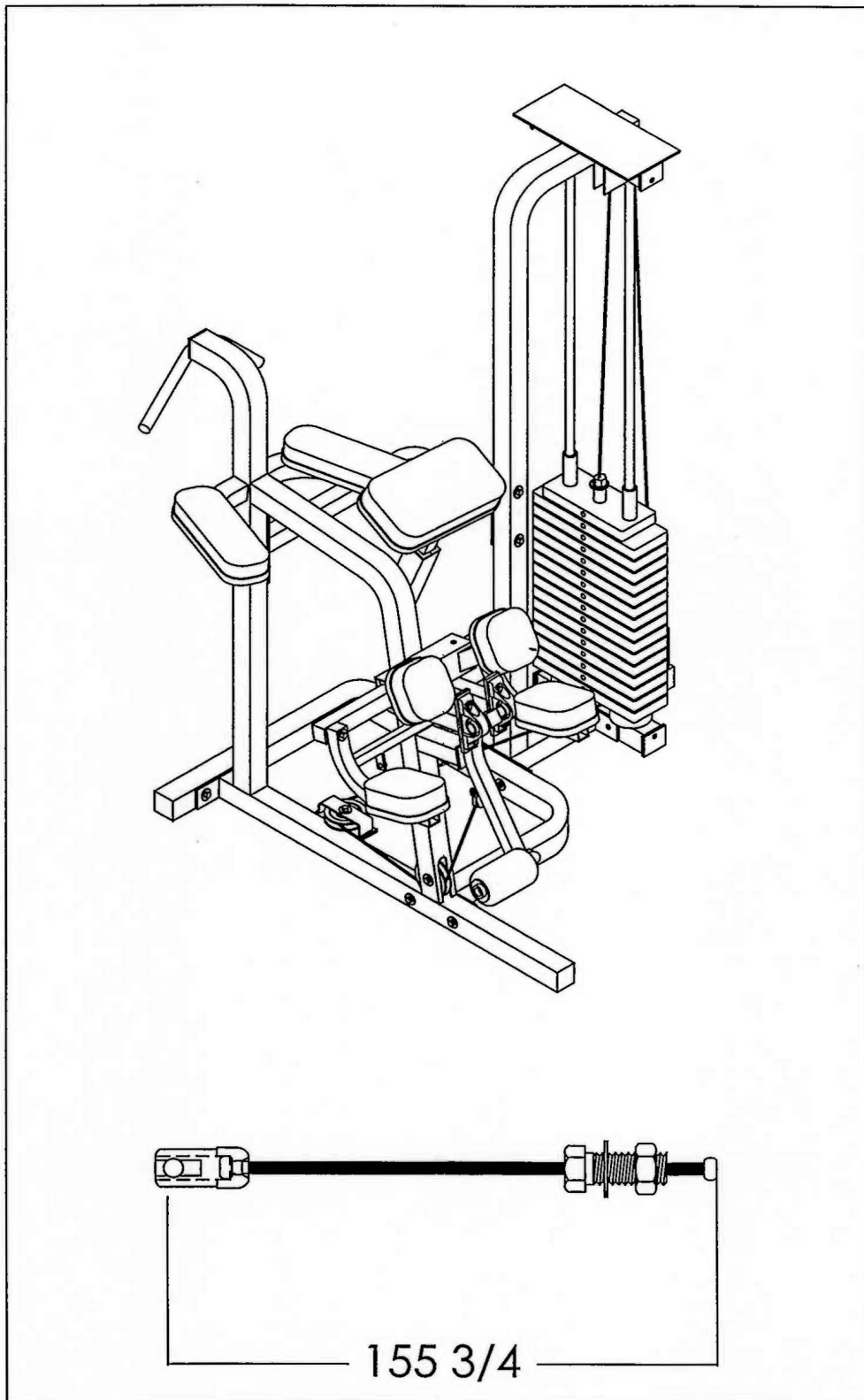
# S411

## LEG CURL



# S411

## LEG CURL



# S411

## LEG CURL

